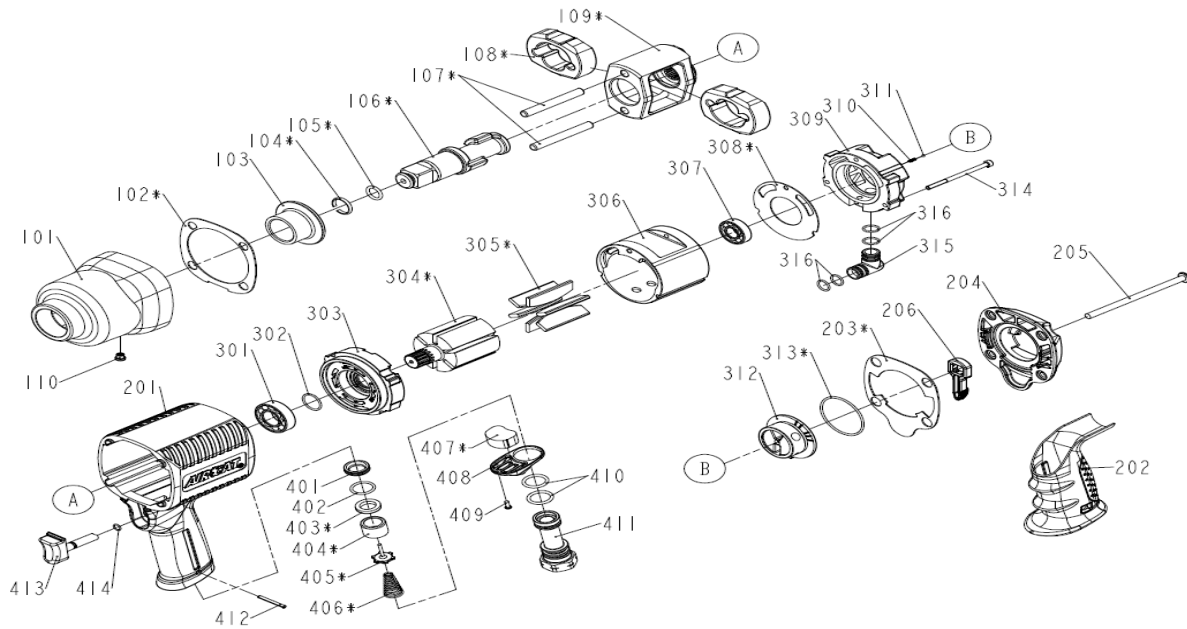




3/4" Impact Wrench, Twin Hammer

Model #1620



ITEM	AIRCAT® No.	PART NAME	ITEM	AIRCAT® No.	PART NAME
101	BP1620101	HAMMER CASE	308	BP1620308	REGULATOR BASE GASKET
102	BP1620102	HAMMER CASE GASKET	309	BP1620309	REGULATOR BASE
103	BP1620103	HAMMER CASE BUSHING	310	BP1620310	SPRING
104	BP1620104	SOCKET RETAINER	311	BP1620311	STEEL BALL
105	BP1620105	O - RING	312	BP1620312	REVERSE VALVE
106	BP1620106	ANVIL	313	BP1620313	O - RING
107	BP1620107	HAMMER PIN	314	BP1620314	HEX.SOC.HD.BOLT
108	BP1620108	HAMMER	315	BP1620315	INLET
109	BP1620109	HAMMER FRAME	316	BP1620316	O - RING
110	BP1620110	HAMMER CASE GREASE FITTING	401	BP1620401	INSERT BUSHING
201	BP1620201	HOUSING	402	BP1620402	O - RING
202	BP1620202	HANDLE GRIP	403	BP1620403	SEAL UNIT
203	BP1620203	REAR COVER GASKET	404	BP1620404	BUSHING
204	BP1620204	REAR COVER	405	BP1620405	TIP VALVE
205	BP1620205	HALF ROUND HD. STAR HEAD BOLT	406	BP1620406	SPRING
206	BP1620206	LEVER	407	BP1620407	MUFFLER
301	BP1620301	BEARING	408	BP1620408	DEFLECTOR
302	BP1620302	O - RING	409	BP1620409	TAP BOLT
303	BP1620303	FRONT BEARING PLATE	410	BP1620410	O - RING
304	BP1620304	ROTOR	411	BP1620411	AIR INLET
305	BP1620305	BLADES	412	BP1620412	SPRING PIN
306	BP1620306	CYLINDER	413	BP1620413	TRIGGER
307	BP1620307	BEARING	414	BP1620414	O - RING