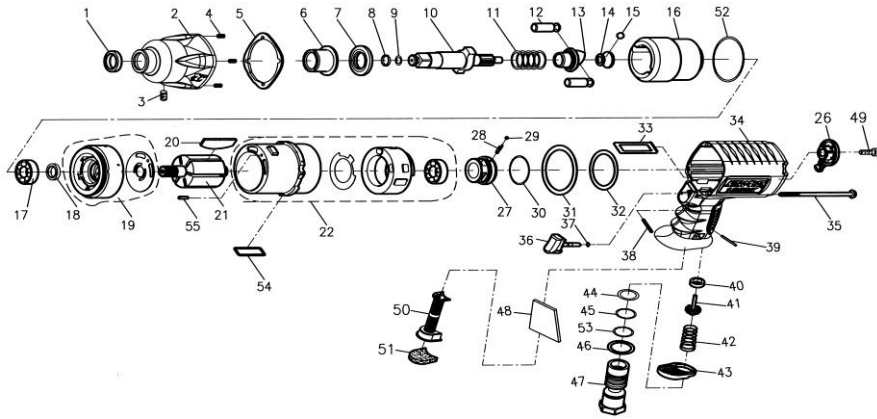




1/2" Composite Impact Wrench, Twin Clutch  
**Model #1250K** Kevlar™ Lt. **Black** / Brush Finish Clutch



Ref.	Part No.	Description	Qty	Ref.	Part No.	Description	Qty
1	SC801-01	Oil Seal	1	28	305F-034B	Spring	1
2	305T-002	Hammer Case	1	29	SC100-15	Steel Ball	1
3	SC602-13	Set Screw	1	30	SC100-16	O-Ring	1
4	00-4302	Inserts Recoil	4	31	SC100-17	Rear Gasket	1
5	305P-020-B	Front Gasket	1	32	SC100-18	Washer	1
6	305I-010	Anvil Bushing	1	33	SC100-19	Air Channel Gasket	1
7	307C-033	Spacer	1	34	307C-001	Motor Housing	1
8	SC800-07	Anvil Collar	1	35	307B-028	Screw	4
9	SC800-08	O-Ring	1	36	SC100-22	Trigger	1
10	307C-011NA4	Anvil	1	37	SC100-23	O-Ring	1
	307C-011NB4	2" Anvil		38	SC100-24	Spring Pin	1
11	SC801-07	Spring	1	39	SC800-19	Spring Pin	1
12	307C-016	Hammer Pin	2	40	SC200-30	Bushing	1
13	307C-013	Cam	1	41	SC200-31	Valve Stem	1
14	307C-014	Cam Foundation	1	42	SC100-25	Spring	1
15	00-3831	Steel Ball	1	43	SC100-26	Exhaust Deflector	1
16	307C-012	Hammer Cage	1	44	SC100-27	O-Ring	1
17	00-2349	Ball Bearing	1	45	SC100-28	O-Ring	1
18	00-4233	Oil Seal	1	46	SC100-29	Washer	1
19	305T-005B	Front End Plate	1	47	SC100-30	Air Inlet (1/4" NPT)	1
20	305N-008D	Rotor Blade	6	48	305H-027	Muffler	1
21	307C-007	Rotor	1	49	00-6204	Cap Screw	1
	305N-006B	Cylinder		50	305H-019B	Exhaust Tube	1
	SC100-10	Valve Sleeve Gasket		51	243H-027	Muffler	1
	305H-029C	Valve Sleeve		52	SC801-15	O-Ring	1
22	SC800-24	Ball Bearing	1	53	SC100-31	O-Ring	1
	305P-022	Regulator Knob		54	305H-0041	Square Ring	1
27	305Q-021C	Regulator	1	55	00-3435	Pin	1

\*Kevlar™ is a registered trademark of E. I. du Pont de Nemours and Company